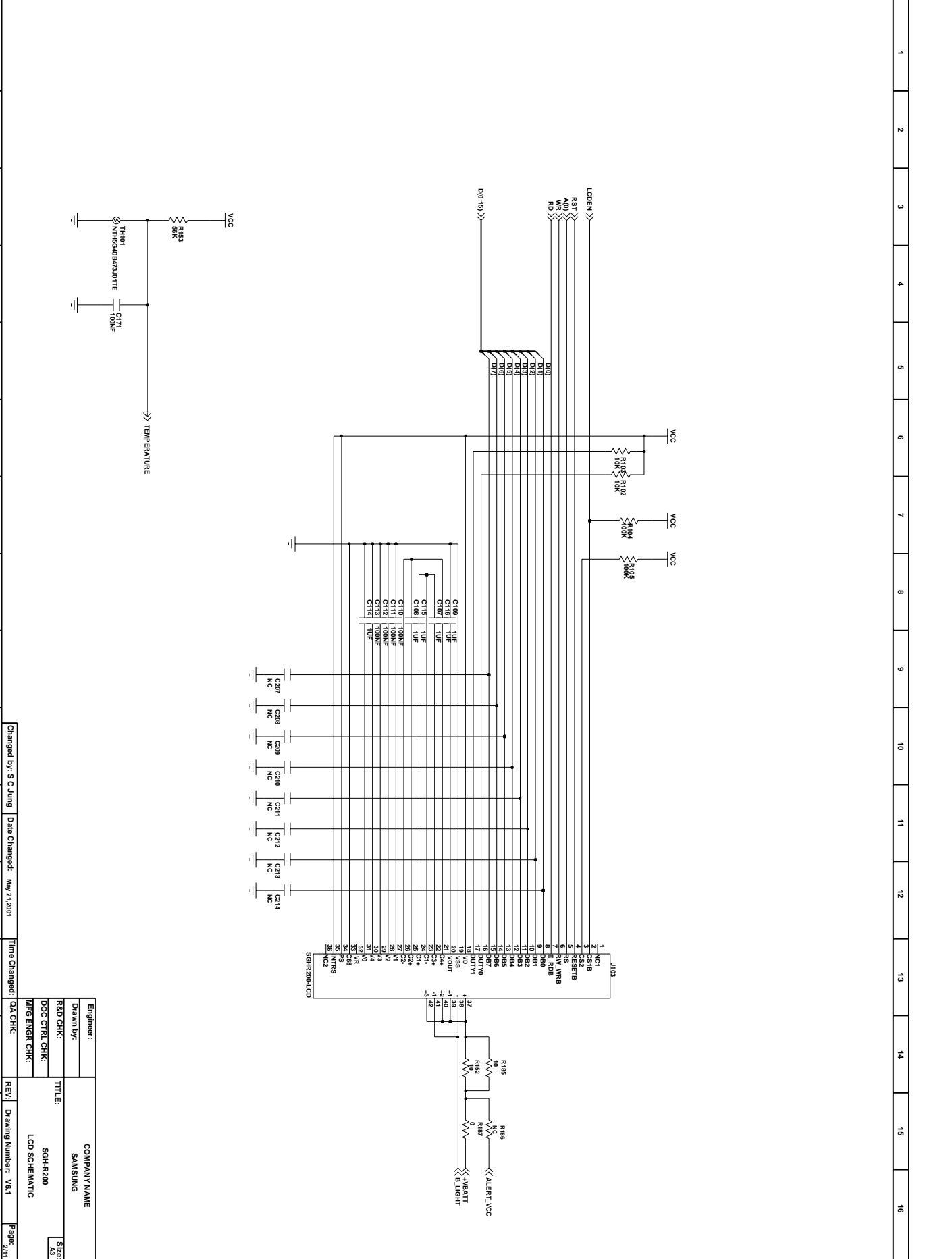
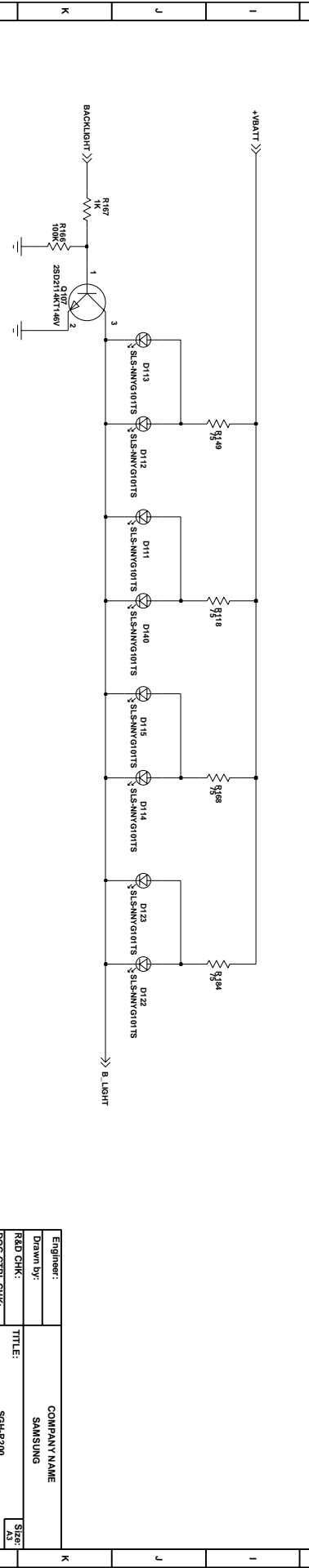
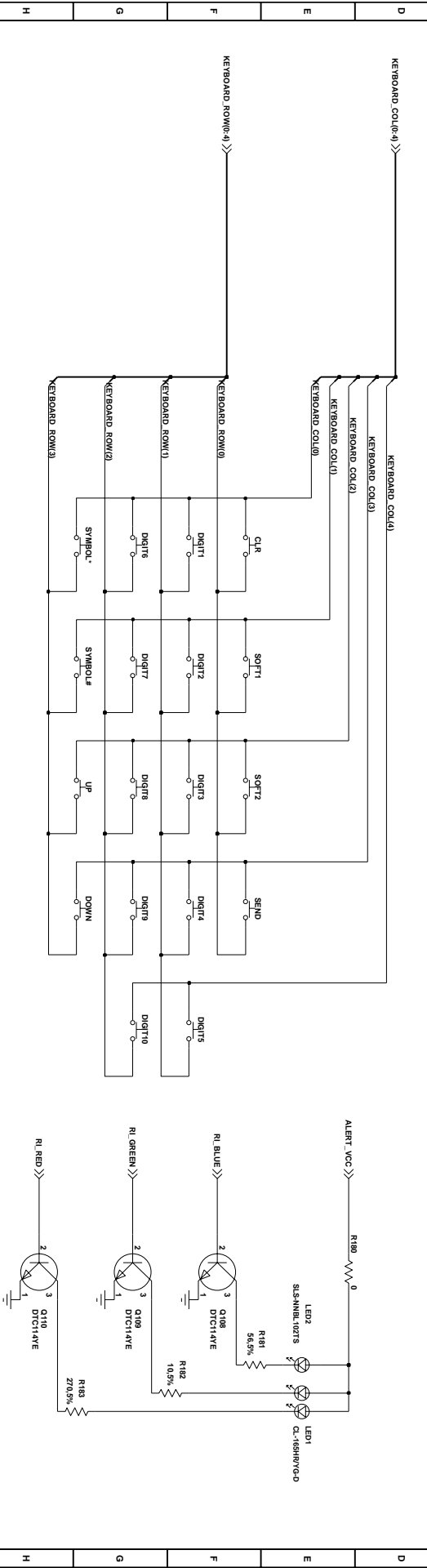
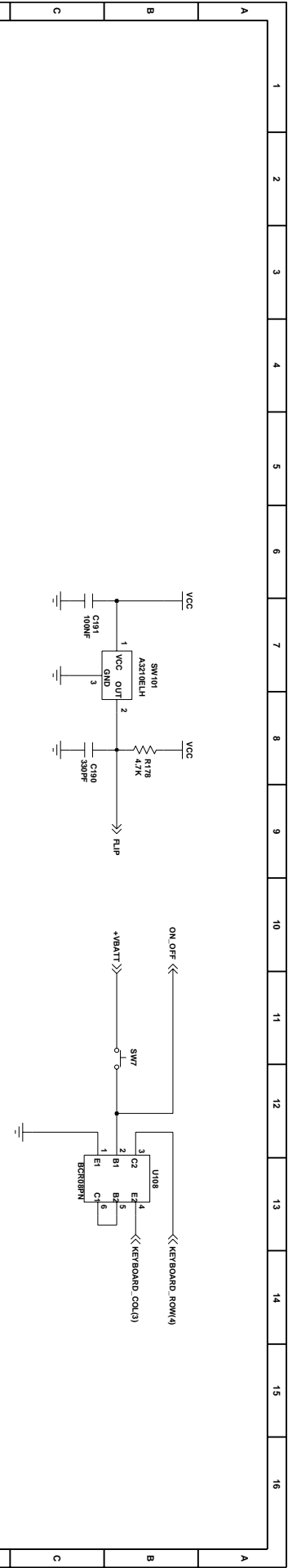


Changed by: S C Jung	Date Changed: May 21, 2001	Time Changed:												
<table border="1"> <tr> <td>Engineer: PBH</td> <td>COMPANY NAME</td> </tr> <tr> <td>Drawn By:</td> <td>SAMSUNG</td> </tr> <tr> <td>R&D CHK:</td> <td></td> </tr> <tr> <td>DOC CTRL CHK:</td> <td></td> </tr> <tr> <td>MFG ENGR CHK:</td> <td></td> </tr> <tr> <td>QA CHK:</td> <td></td> </tr> </table>			Engineer: PBH	COMPANY NAME	Drawn By:	SAMSUNG	R&D CHK:		DOC CTRL CHK:		MFG ENGR CHK:		QA CHK:	
Engineer: PBH	COMPANY NAME													
Drawn By:	SAMSUNG													
R&D CHK:														
DOC CTRL CHK:														
MFG ENGR CHK:														
QA CHK:														
<table border="1"> <tr> <td>TITLE:</td> <td>SG9H-R200</td> </tr> <tr> <td>SIZE:</td> <td>A3</td> </tr> <tr> <td>POWER MANAGEMENT & SIM INTERFACE</td> <td></td> </tr> <tr> <td>REV:</td> <td>Drawing Number: V6.1</td> </tr> <tr> <td>Page:</td> <td>1/11</td> </tr> </table>			TITLE:	SG9H-R200	SIZE:	A3	POWER MANAGEMENT & SIM INTERFACE		REV:	Drawing Number: V6.1	Page:	1/11		
TITLE:	SG9H-R200													
SIZE:	A3													
POWER MANAGEMENT & SIM INTERFACE														
REV:	Drawing Number: V6.1													
Page:	1/11													

H101
 ANTENNA PADING HOLE



Changed by: S.C. Jung		Date Changed: May 21, 2001		Time Changed:	
Engineer:		COMPANY NAME		SAMSUNG	
Drawn by:		TITLE:		SGHR200	
R&D CHK:		DOC CTRL CHK:		MFG ENGR CHK:	
QA CHK:		REV:		Drawing Number: V6.1	
Page:		2/11			

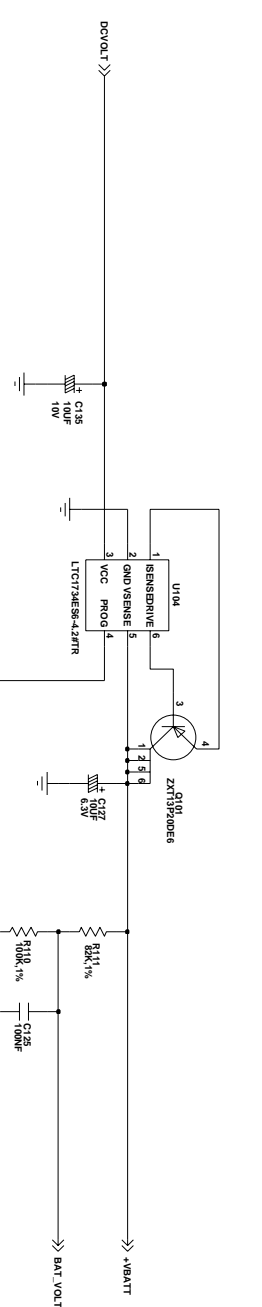
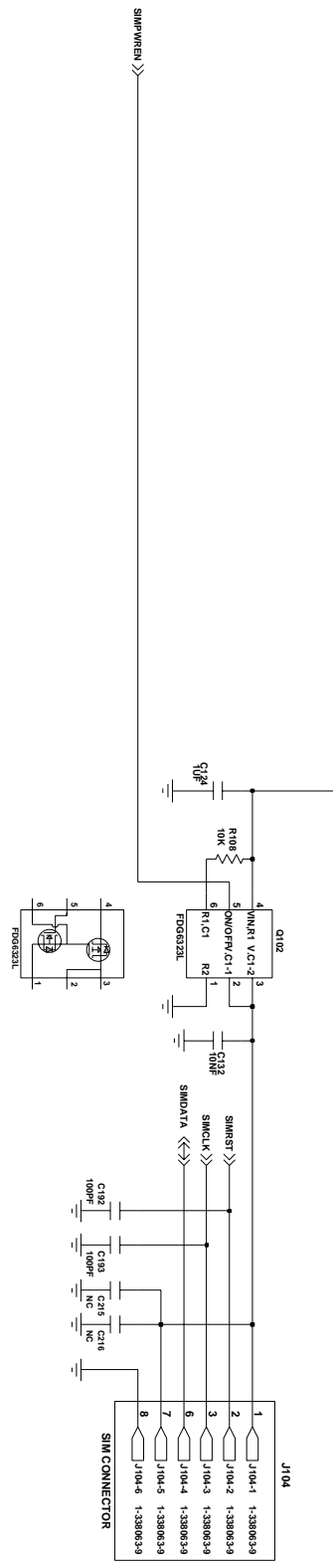
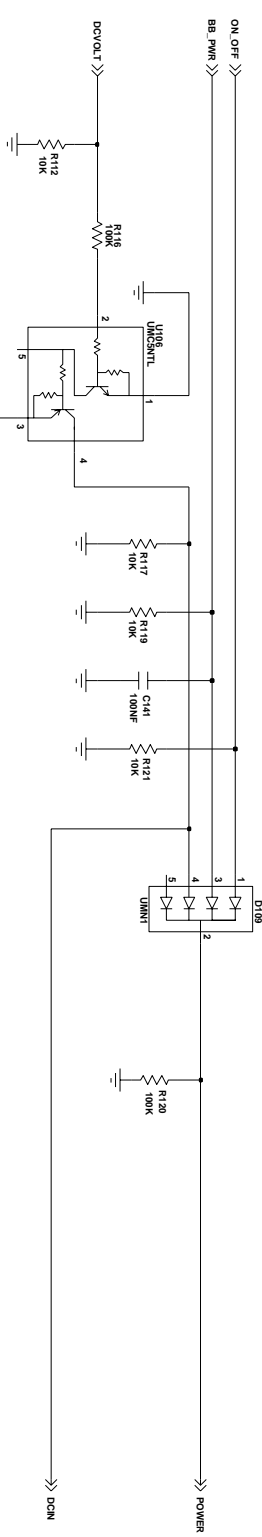


1	2	3	4	5	6	7	8	9	10	11	12	13	14	15	16
---	---	---	---	---	---	---	---	---	----	----	----	----	----	----	----

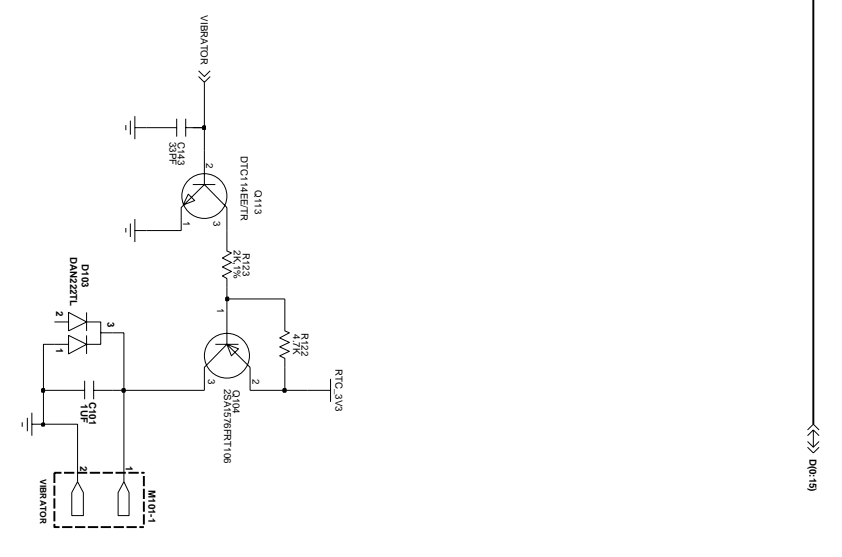
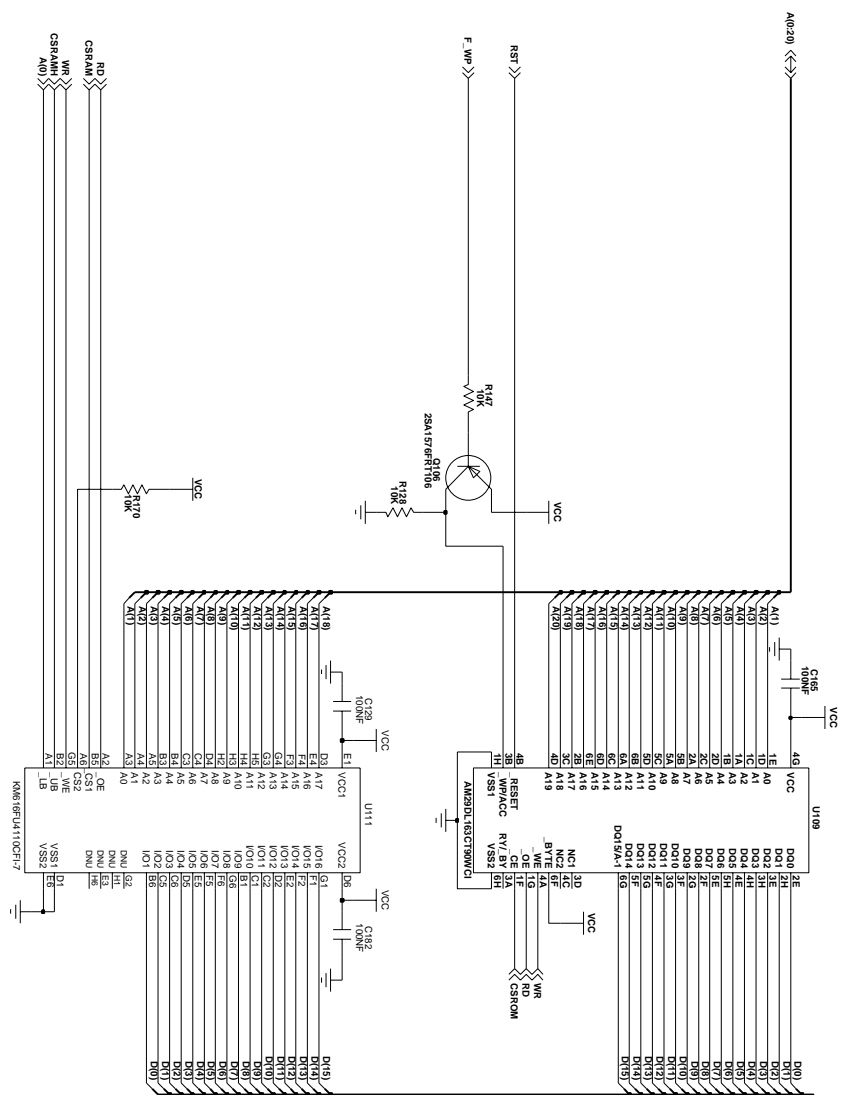
Changed by: S.C. Jung | Date Changed: May 21, 2001

Time Changed:

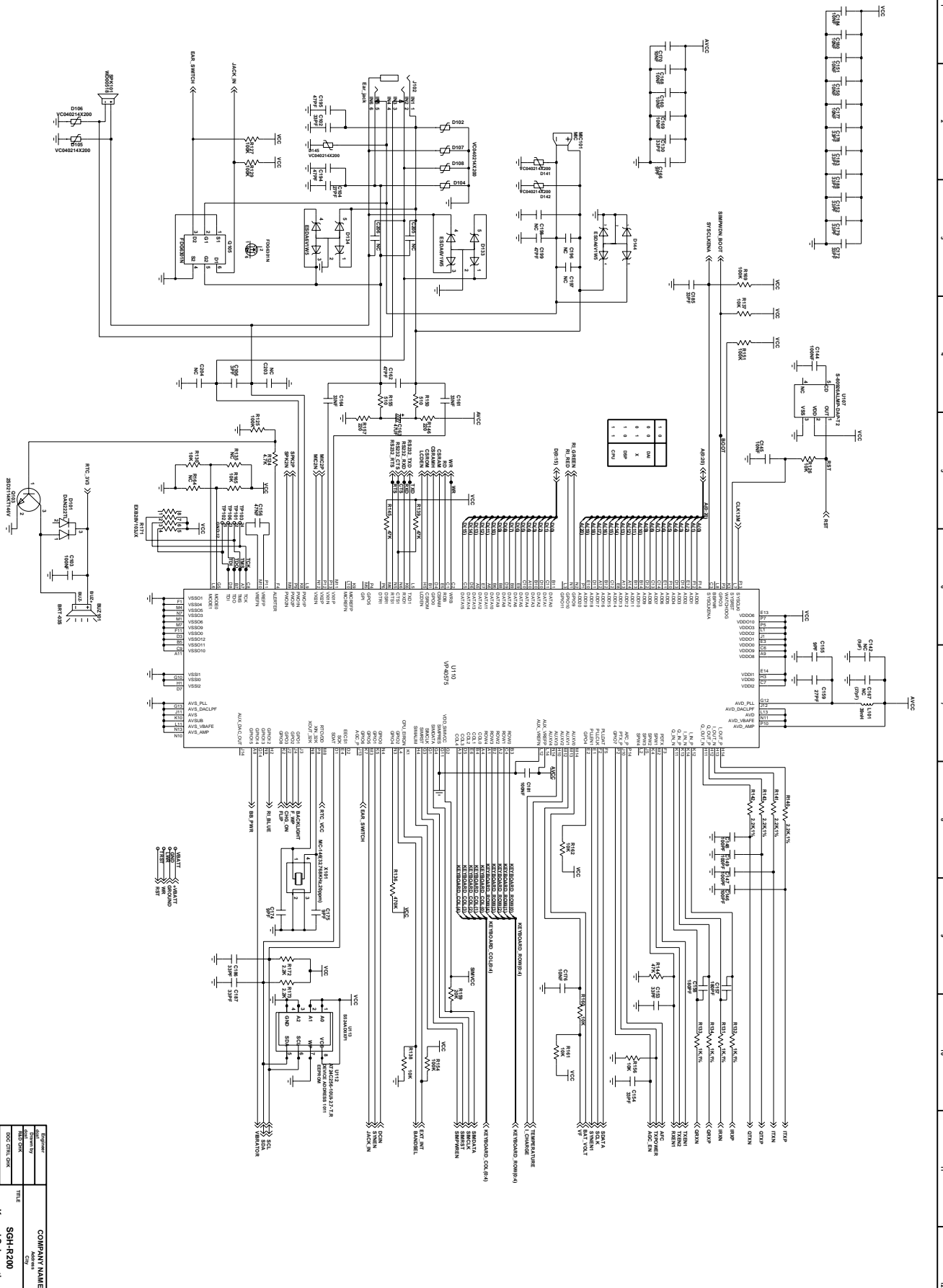
Engineer:	COMPANY NAME
Drawn by:	SAMSUNG
R&D CHK:	
DOC CTRL CHK:	
MFG ENGR CHK:	
QA CHK:	
TITLE:	SGH-R200
	KEY SCHEMATIC
SIZE:	A3
REV:	Drawing Number: V6.1
Page:	3/11



1	2	3	4	5	6	7	8	9	10	11	12	13	14	15	16
<p>Changed by: S.C. Jung Date Changed: May 21, 2001 Time Changed: May 21, 2001</p> <p>QA CHK: _____</p> <p>REJ: _____</p> <p>Drawing Number: V6.1 Page: 4/11</p>															
<p>Engineer: _____</p> <p>Drawn By: _____</p> <p>R&D CHK: _____</p> <p>DOC CTRL CHK: _____</p> <p>MFG ENGR CHK: _____</p> <p>TITLE: SIM & CHARGER SCHEMATIC</p> <p>COMPANY NAME: SAMSUNG</p> <p>SGH-R200</p> <p>SIZE: A3</p>															

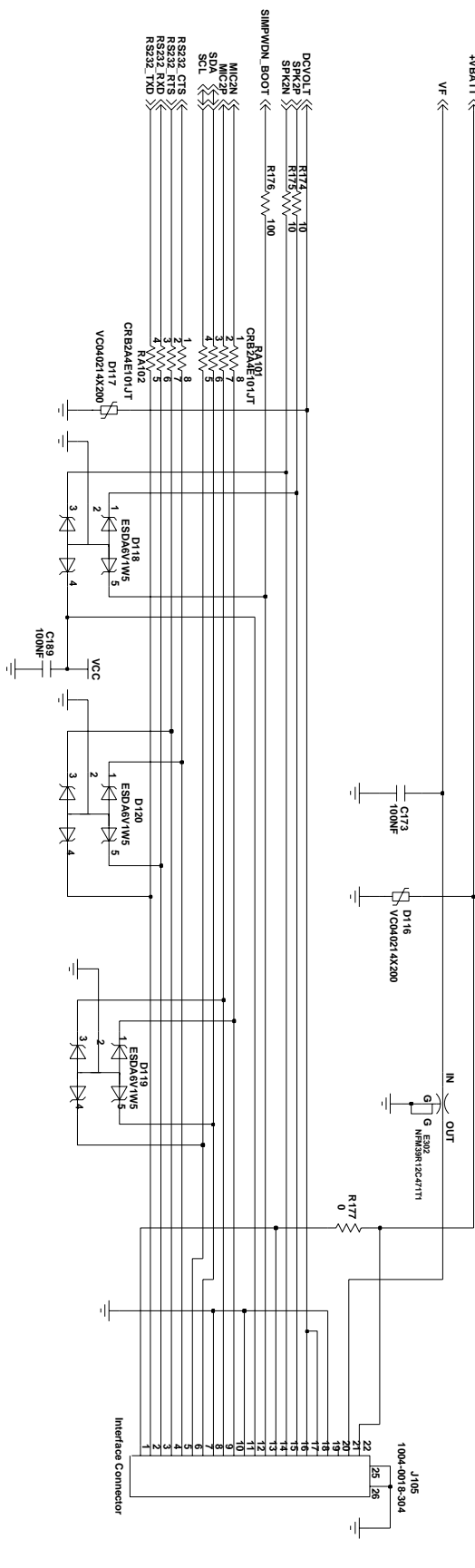


1	2	3	4	5	6	7	8	9	10	11	12	13	14	15	16
<p>Changed by: S.C. Jung Date Changed: May 21, 2001 Time Changed:</p>															
<p>Engineer: COMPANY NAME SAMSUNG</p>															
<p>Drawn by: _____</p>															
<p>READ CHK: _____</p>															
<p>DOC CTRL CHK: _____</p>															
<p>MFG ENGR CHK: _____</p>															
<p>QA CHK: _____</p>															
<p>TITLE: MEMORY SCHEMATIC</p>															
<p>SGH-R200</p>															
<p>SIZE: A3</p>															
<p>REV: Drawing Number: V6.1 Page: 5/11</p>															



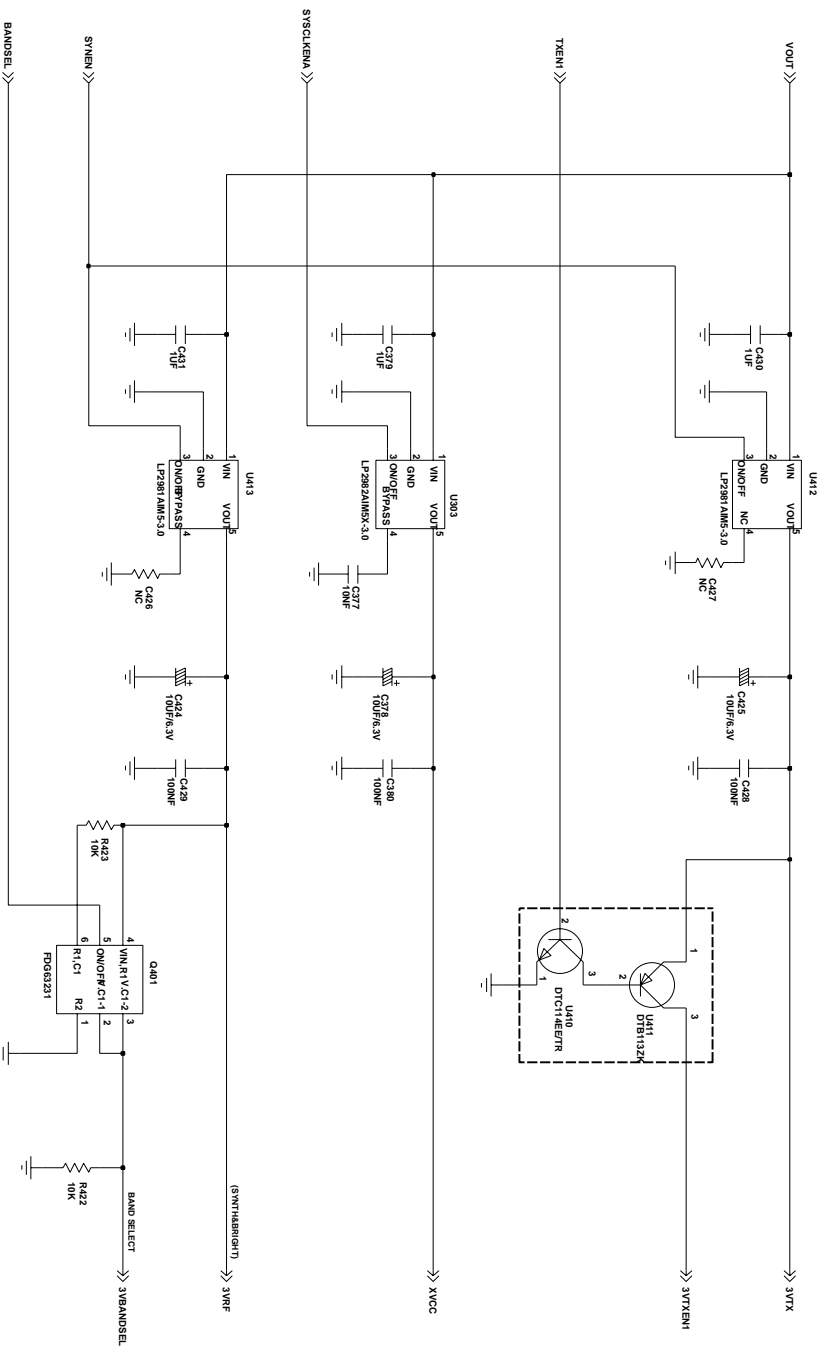
Company Name	Kenrad Schmitt
Project Name	SKH-R200
Revision	1.0
Date	12/15/2000
Author	Kenrad Schmitt
Checked By	
Approved By	
Scale	1:1
Sheet	1 of 1

Kenrad Schmitt
SKH-R200
1.0
12/15/2000
Kenrad Schmitt



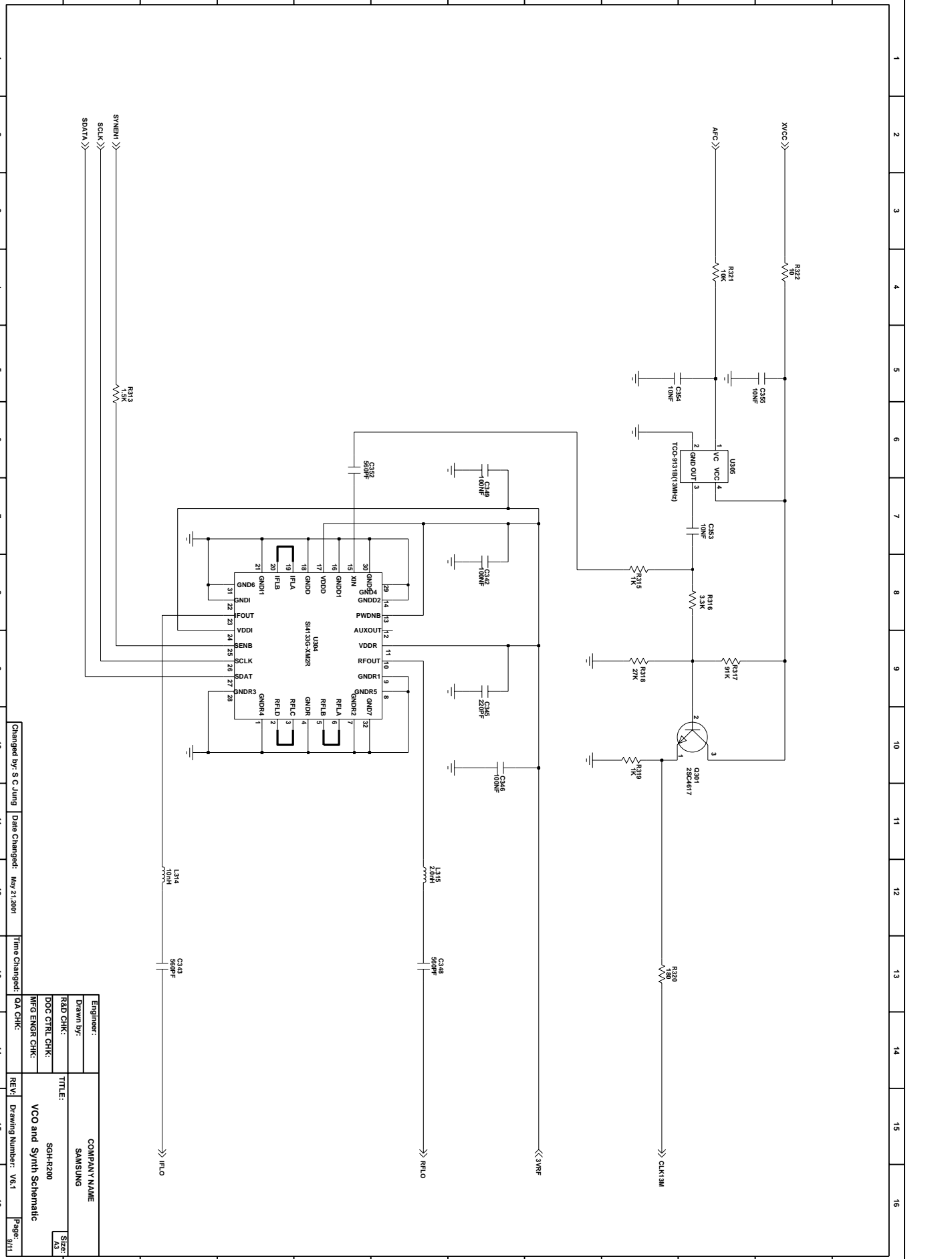
Changed by: S.C. Jung | Date Changed: May 21, 2001 | Time Changed: |

Engineer:	COMPANY NAME
Drawn By:	SAMSUNG
R&D CHK:	
DOC CTRL CHK:	
MFG ENGR CHK:	
QA CHK:	
TITLE:	SGH-R200
	INTERFACE CONNECTOR SCHEMATIC
REV:	Drawing Number: V6.1
	Page: 7/11

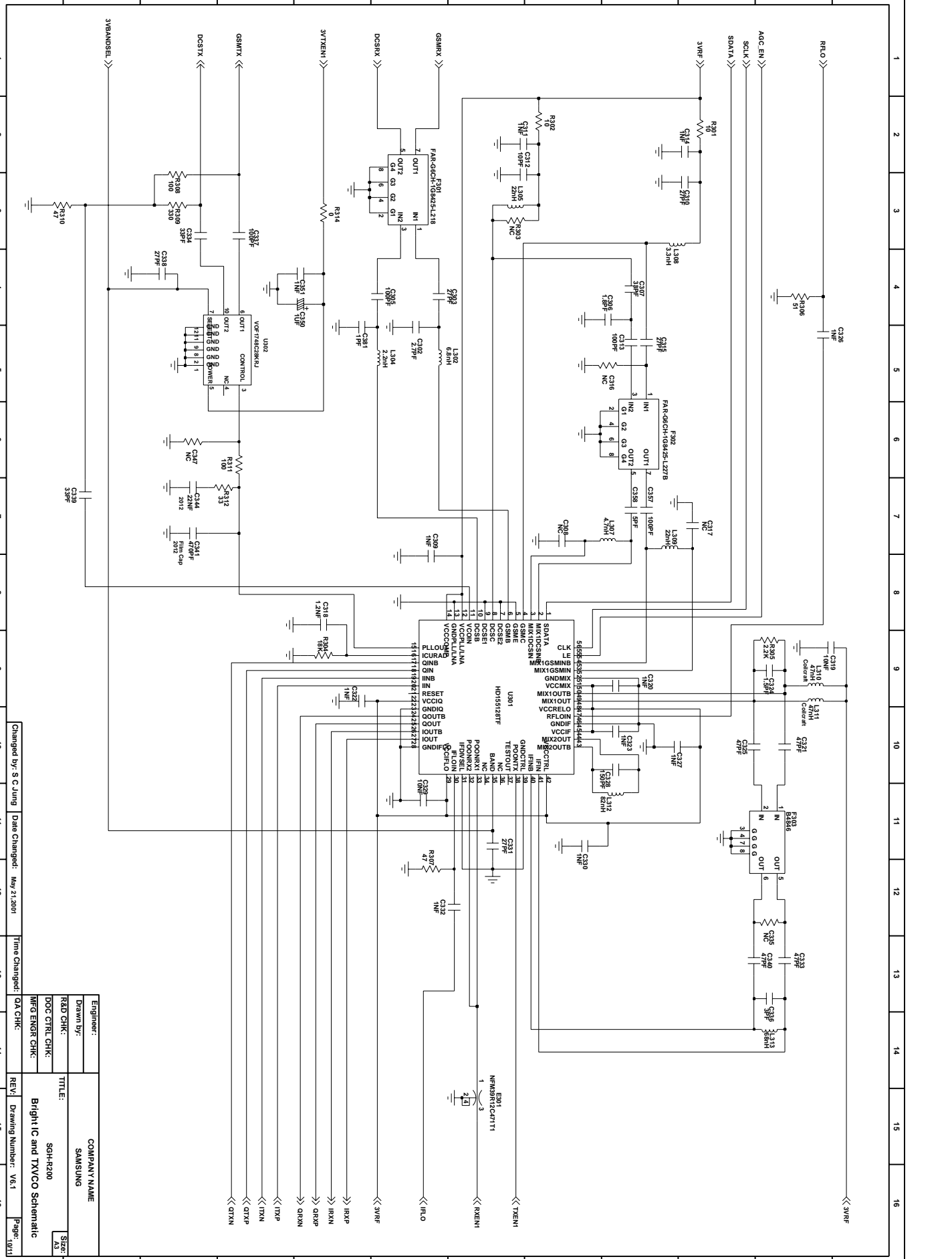


Engineer:	COMPANY NAME
Drawn By:	SAMSUNG
R&D CHK:	
DOC CTRL CHK:	
MFG ENGR CHK:	
QA CHK:	
TITLE:	SGH-R200
	RADIO PSU SCHEMATIC
REV:	Drawing Number: 46.1
REV:	Page: 8/11

Changed by:	S C Jung
Date Changed:	May 21, 2001
Time Changed:	



Changed by: S C Jung	Date Changed: May 21, 2001	Time Changed:
Engineer:	COMPANY NAME	SIZE
Drawn by:	SAMSUNG	DATE
R&D CHK:		
DOC CTRL CHK:	TITLE:	
MFG ENGR CHK:	SG9H-R200	
	VCO and Synth Schematic	
QA CHK:	REV:	Page: 9/11
	Drawing Number: V6.1	

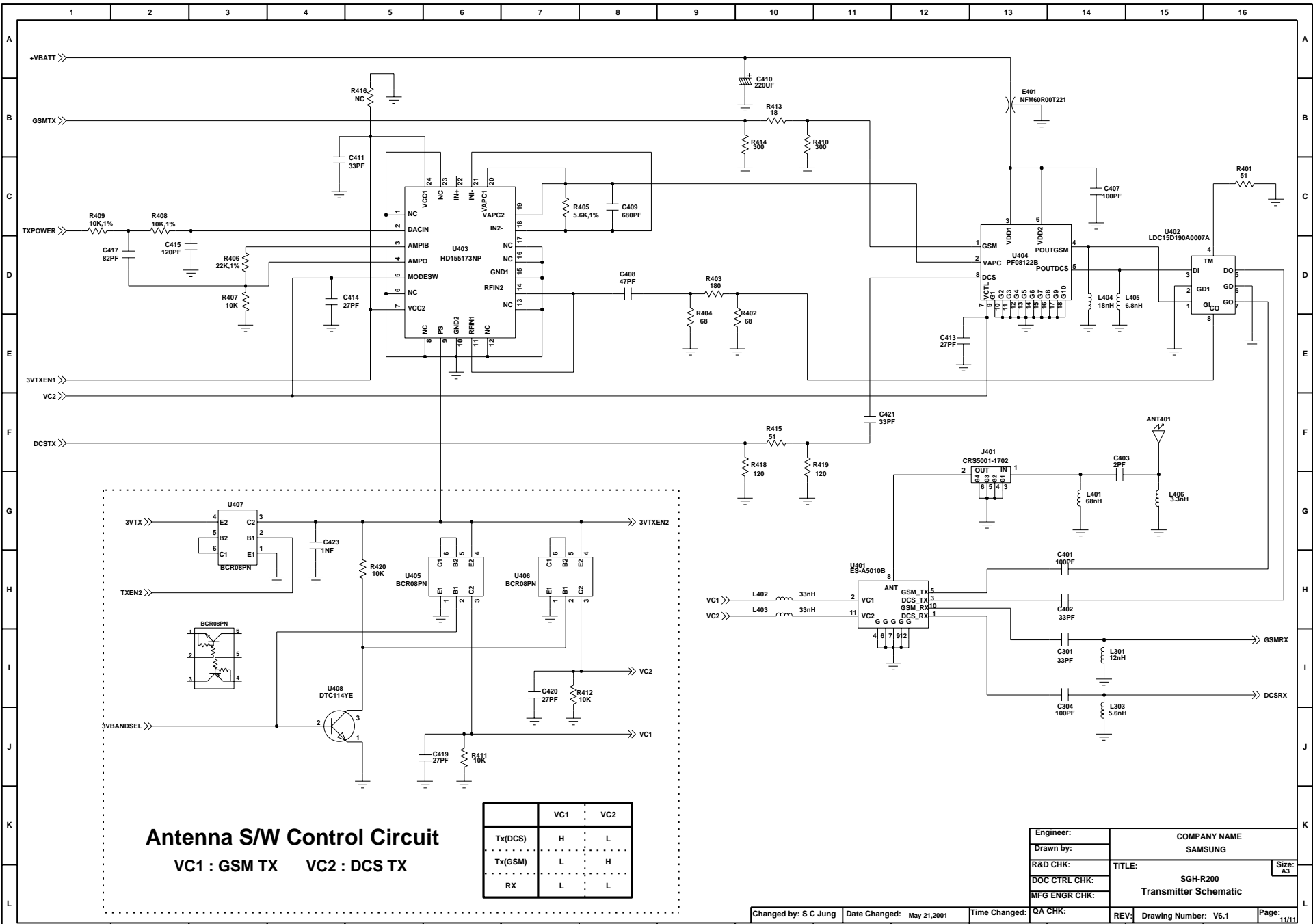


Changed by: S C Jung | Date Changed: May 21, 2001 | Time Changed:

Engineer: COMPANY NAME
 SAMSUNG
 Drawn By:
 R&D CHK:
 DOC CTRL CHK:
 MFG ENGR CHK:
 QA CHK:

TITLE: SG9-R200
 Bright IC and TVCO Schematic

REV: Drawing Number: V6.1 | Page: 10/11



Antenna S/W Control Circuit

VC1 : GSM TX VC2 : DCS TX

	VC1	VC2
Tx(DCS)	H	L
Tx(GSM)	L	H
RX	L	L

Engineer:	COMPANY NAME	
Drawn by:	SAMSUNG	
R&D CHK:	TITLE:	Size: A3
DOC CTRL CHK:	SGH-R200	
MFG ENGR CHK:	Transmitter Schematic	
QA CHK:	REV:	Page: 1/11
Changed by: S C Jung	Date Changed: May 21, 2001	Time Changed:
	Drawing Number: V6.1	